

#### Thermostatic valves "E"

##### Tender specification:

Oventrop thermostatic valves "E" with infinitely adjustable presetting for central heating and cooling systems with closed circuits, for operation with non-aggressive, harmless fluids.

Body made of brass, O-ring and disc seal made of EPDM, stainless steel stem with double seal. Surface: anthracite, sand blasted and nickel plated, chrome plated, white, gold plated and stainless steel finish.

Smooth surface, concealed connections.

Technical data and nominal flow rate as thermostatic valves "AV 9".

Connection for threaded, copper or composition pipe "Copipe". Valve insert replaceable by using the special tool "Demo-Bloc" without draining the system.

##### Technical data:

Operating temperature  $t_s$ : 2 °C up to 120 °C

Max. operating pressure  $p_s$ : 10 bar

Recommended differential pressure range: 30-200 mbar

Max. differential pressure: 1 bar

Connection thread: M 30 x 1.5

Fluid: Water or suitable ethylene/propylene glycol water mixtures according to VDI 2035/ÖNORM 5195 (max. glycol proportion 50 %, ph value 6.5-10).  
Not suitable for steam, oily and aggressive fluids.



Exclusive thermostatic valve "E" and thermostat "Uni LH"

**Note:** The following is additionally needed for the installation of copper pipe according to DIN EN 1057

Set of compression fittings consisting of:

Compression ring, compression nut and cap

##### Models:

G 1/2 M x 12 mm sand blasted and nickel plated

G 1/2 M x 15 mm sand blasted and nickel plated

G 1/2 M x 16 mm sand blasted and nickel plated

G 1/2 M x 12 mm chrome plated

G 1/2 M x 15 mm chrome plated

G 1/2 M x 16 mm chrome plated

G 1/2 M x 12 mm white

G 1/2 M x 15 mm white

G 1/2 M x 16 mm white

G 1/2 M x 12 mm gold plated

G 1/2 M x 15 mm gold plated

G 1/2 M x 16 mm gold plated

G 1/2 M x 12 mm anthracite

G 1/2 M x 15 mm anthracite

G 1/2 M x 12 mm stainless steel finish

G 1/2 M x 15 mm stainless steel finish

##### Item no.:

1169392

1169393

1169394

1169092

1169093

1169094

1169192

1169193

1169194

1169292

1169293

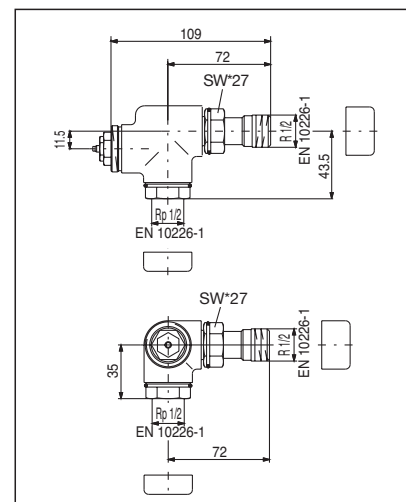
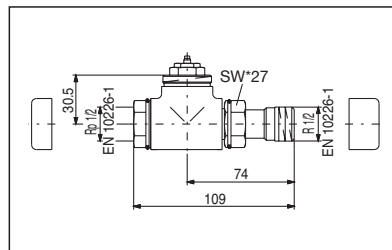
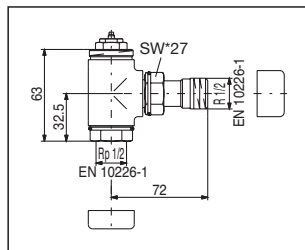
1169294

1169492

1169493

1169592

1169593



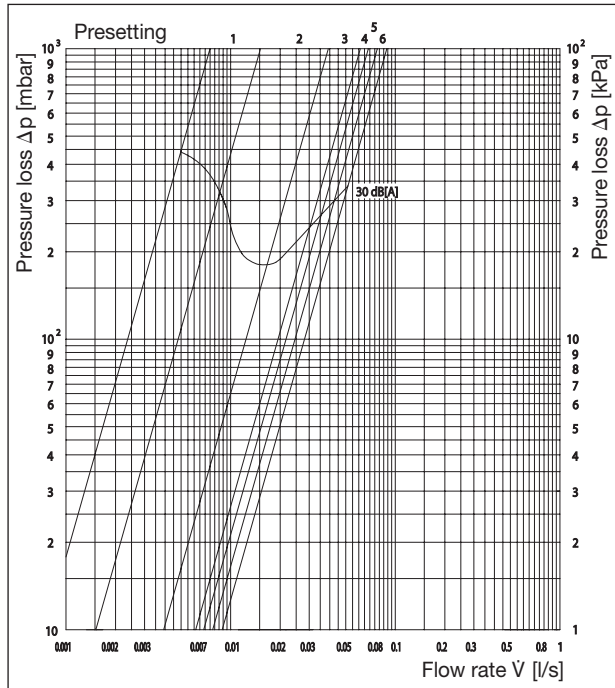
Dimensions

\*SW = Spanner size

Size	Surface					
	anthracite	sand blasted and nickel plated	chrome plated	white	gold plated	Stainless steel finish
DN 15 Angle pattern	1163032	1163042	1163052	1163062	1163072	1163082
DN 15 Straight pattern	1163132	1163142	1163152	1163162	1163172	1163182
DN 15 Reversed angle pattern	1163232		1163252	1163262		
DN 15 Double angle pattern, left	1163432		1163452	1163462		1163482
DN 15 Double angle pattern, right	1163433		1163453	1163463		1163483

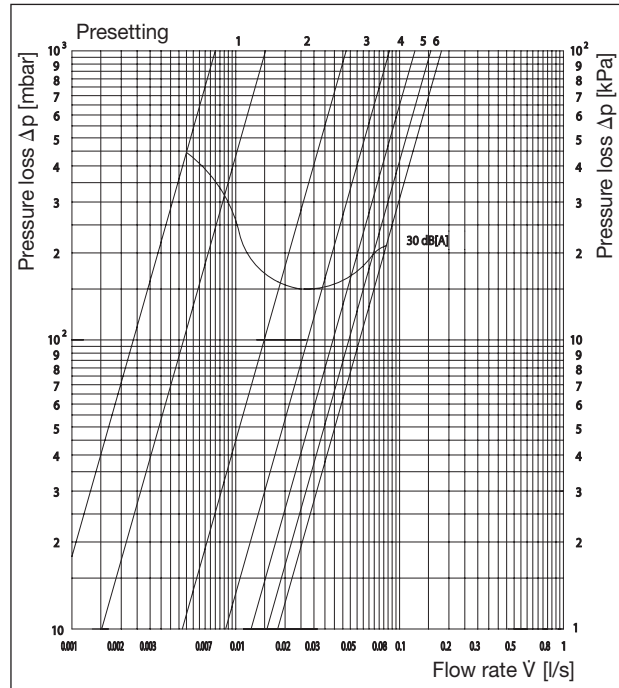
Item no.

All patterns and sizes at 1 K P-deviation

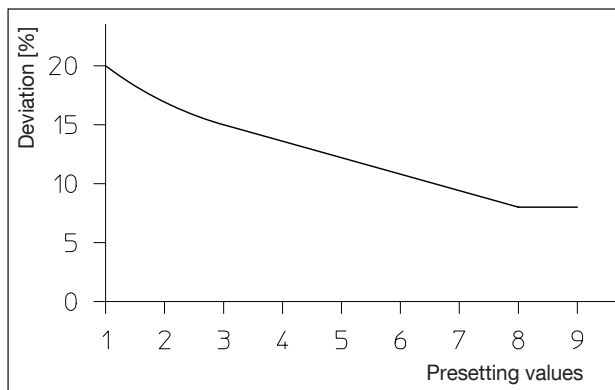


Performance data thermostatic valves "E"

All patterns and sizes at 2 K P-deviation



Performance data thermostatic valves "E"



Flow tolerances depending on the presetting:  
According to DIN EN 215 at 2 K P-deviation

Presetting	1	2	3	4	5	6	7	8	9
$k_V$ value at 1 K P-deviation	0.05	0.09	0.13	0.17	0.21	0.25	0.29	0.33	0.36
$k_V$ value at 1.5 K P-deviation	0.05	0.09	0.14	0.19	0.24	0.29	0.38	0.47	0.52
$k_V$ value at 2 K P-deviation	0.05	0.09	0.14	0.20	0.26	0.32	0.43	0.57	0.67

Performance data all patterns and sizes

**Design handgrips**

**Tender specification:**

Oventrop design handgrips for thermostatic valves "E", chrome plated.  
 Consisting of a chrome plated handgrip corresponding to the product lines "TARA" and "MADISON" of the company Dornbracht and adapter.

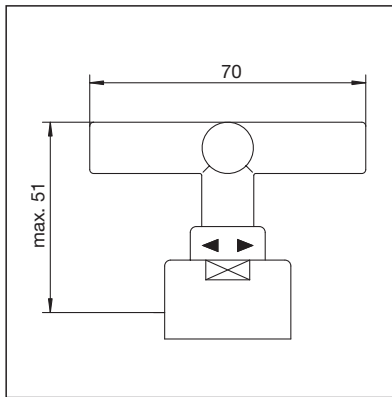
Connection thread: M 30 x 1.5  
 Max. flow temperature: 75 °C

**Function:**

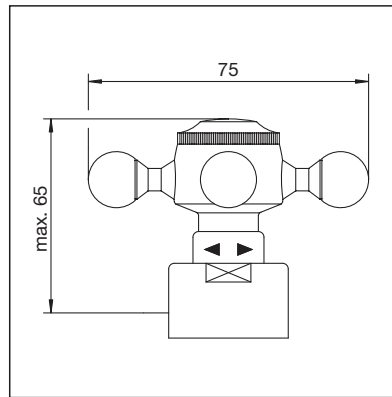
In combination with the thermostatic valves "E", the Oventrop design handgrips allow for manual infinitely variable room temperature control. The handgrips do not contain a thermostatic sensor element.



Thermostatic valve "E" and radiator lockshield valve "Combi E" with handgrip "TARA"



Dimensions "TARA"



Dimensions "MADISON"

\* Trademarks and design of the company Aloys Dornbracht GmbH & Co. KG, Iserlohn

**Radiator lockshield valves “Combi E”**

**Tender specification:**

Oventrop radiator lockshield valve “Combi E” with presetting with memory lock for central heating and cooling systems with closed circuits, for operation with non-aggressive, harmless fluids.

For isolating, draining, filling and with presetting, female thread according to EN 10226-1.

Body made of brass. Protection cap with additional sealing. Surface: anthracite, sand blasted and nickel plated, chrome plated, white, gold plated and stainless steel finish.

Smooth surface, concealed connections.

Connection for threaded, copper or composition pipes “Copipe”.

**Technical data:**

Operating temperature  $t_s$ : 2 °C up to 120 °C

Max. operating pressure  $p_s$ : 10 bar

Fluid: Water or suitable ethylene/propylene glycol water mixtures according to VDI 2035/ÖNORM 5195 (max. glycol proportion 50 %, ph value 6.5-10).  
Not suitable for steam, oily and aggressive fluids.

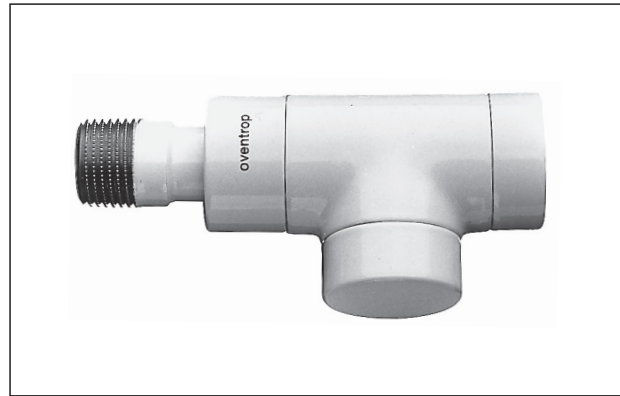
**Note:** The following is additionally needed for the installation of copper pipe according to DIN EN 1057

Set of compression fittings consisting of:

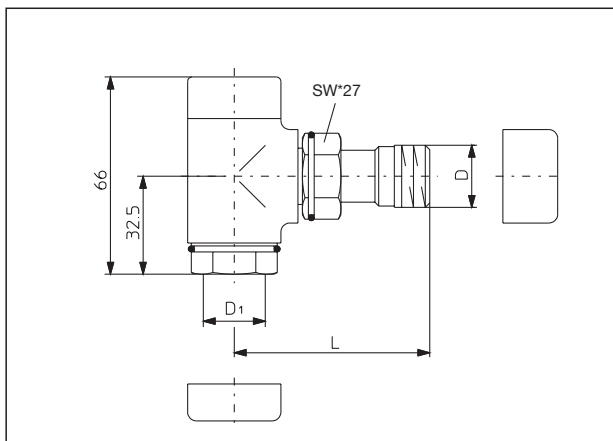
Compression ring, compression nut and cap

**Models:**

Models:	Item no.:
G ½ M x 12 mm sand blasted and nickel plated	1169392
G ½ M x 15 mm sand blasted and nickel plated	1169393
G ½ M x 16 mm sand blasted and nickel plated	1169394
G ½ M x 12 mm chrome plated	1169092
G ½ M x 15 mm chrome plated	1169093
G ½ M x 16 mm chrome plated	1169094
G ½ M x 12 mm white	1169192
G ½ M x 15 mm white	1169193
G ½ M x 16 mm white	1169194
G ½ M x 12 mm gold plated	1169292
G ½ M x 15 mm gold plated	1169293
G ½ M x 16 mm gold plated	1169294
G ½ M x 12 mm anthracite	1169492
G ½ M x 15 mm anthracite	1169493
G ½ M x 12 mm stainless steel finish	1169592
G ½ M x 15 mm stainless steel finish	1169593



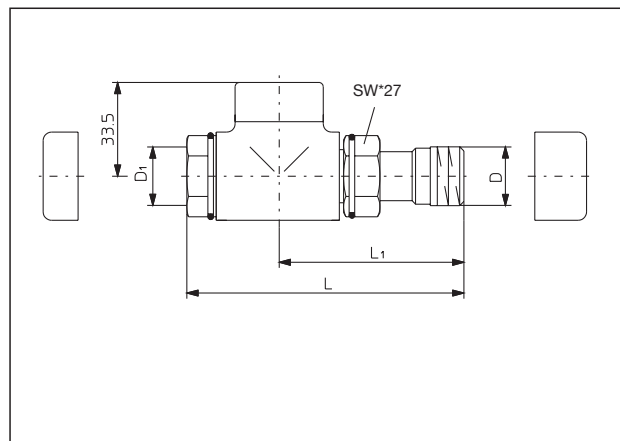
Radiator lockshield valve “Combi E”



Size	D EN 10226-1	D EN 10226-1	L
DN 15	R ½	Rp ½	72

Dimensions

\*SW = Spanner size

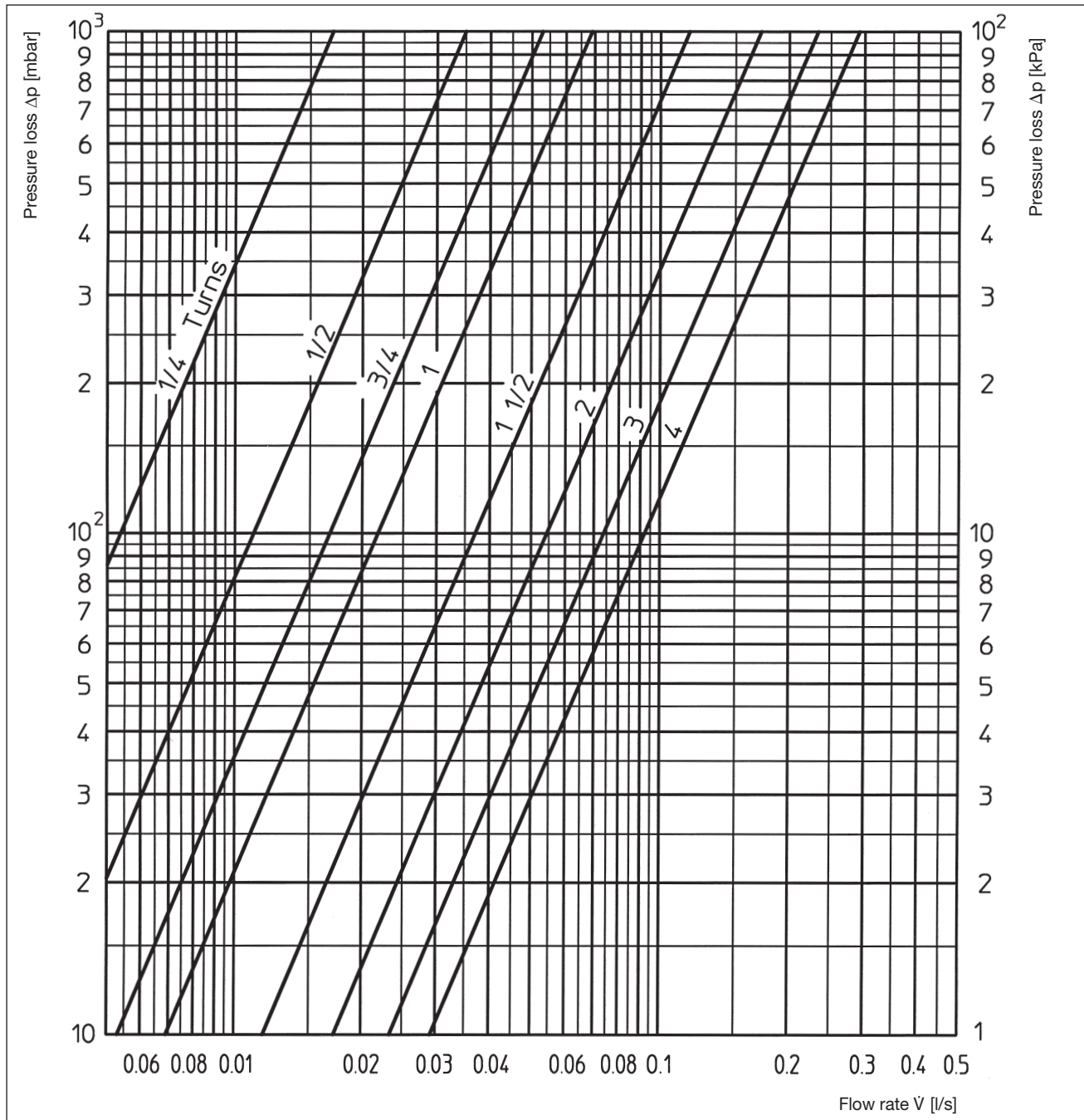


Size	D EN 10226-1	D EN 10226-1	L	L <sub>1</sub>
DN 15	R ½	Rp ½	109	72

Dimensions

Size	Surface					
	anthracite	sand blasted and nickel plated	chrome plated	white	gold plated	Stainless steel finish
DN 15 Angle pattern	1166032	1166042	1166052	1166062	1166072	1166082
DN 15 Straight pattern	1167032	1167042	1167052	1167062	1167072	1167082

Item no.



Performance data radiator lockshield valves "Combi E"

Number of turns	1/4	1/2	3/4	1	1 1/2	2	3	4
$k_v$	0.06	0.13	0.19	0.25	0.42	0.62	0.84	1.05
Zeta	28070	6370	2780	1620	590	263	143	92

Performance data angle and straight pattern DN 15

Subject to technical modifications without notice.

Product range 1  
 ti 74-EN/10/MW  
 Edition 2018